

Overview

1

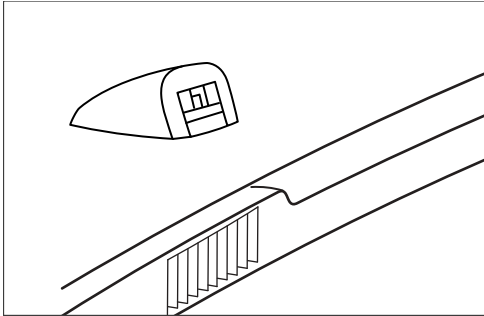
This manual covers the installation, adjustment and maintenance of universal aftermarket windshield washer nozzles designed for passenger vehicles in the European market. These nozzles are engineered to provide optimal windshield cleaning performance while meeting all relevant EU safety standards.

Adaptation Requirements

2

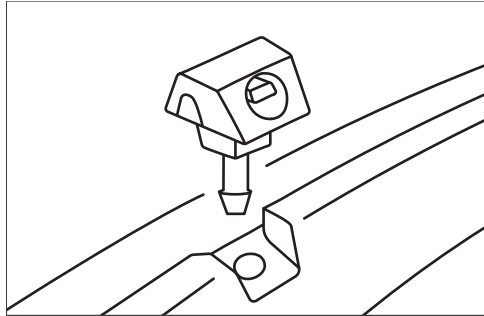
IMPORTANT: This aftermarket part may need minor adjustments to fit your specific vehicle model.

Modifications by Vehicle Type



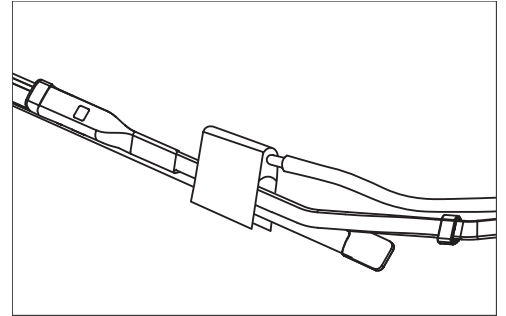
Hood-Mounted Nozzles

- Use gaskets for different hood thicknesses
- Adjustable mounting clip positions



Cowl-Mounted Nozzles

- Mounting bracket
- Multiple angle adjustment points



Wiper Arm-Mounted Nozzles

- Spacing washers for height adjustment
- Universal clamp system

Safety Warnings

3

- Verify vehicle compatibility before installation
- Use appropriate tool to remove old washer nozzles
- Test fit before permanent installation
- Protect eyes when testing spray pattern
- Ensure proper clearance with hood when closed

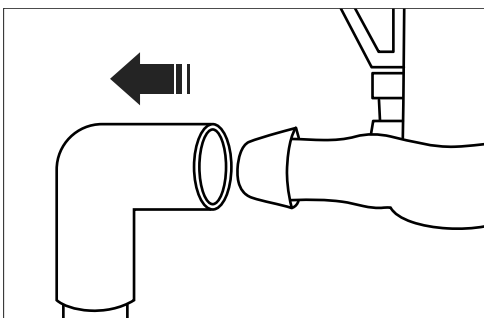
Installation Instructions

4

1. Preparation

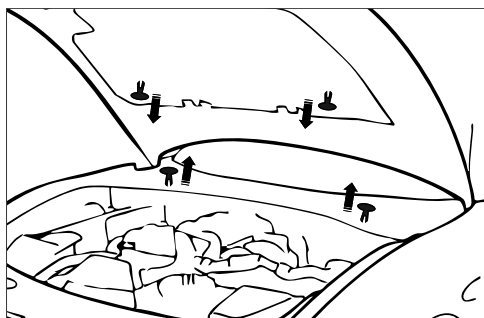
- Park vehicle on level ground
- Turn off ignition
- Open hood and secure properly
- Locate existing nozzle mounting points

2. Removal of Old Nozzles



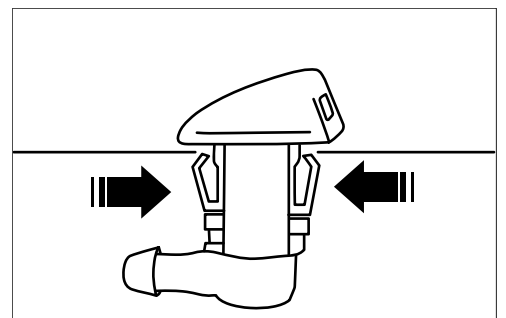
Disconnect fluid line

- Disconnect washer fluid line



Remove clips

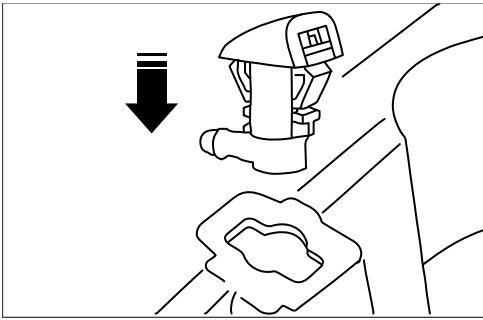
- Mounting bracket
- Multiple angle adjustment points



Extract old nozzles

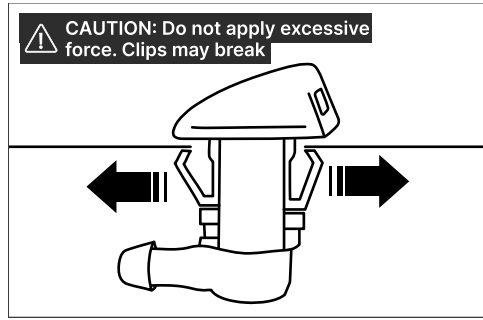
- Carefully extract old nozzles
- Clean mounting surface

3. New Nozzle Installation



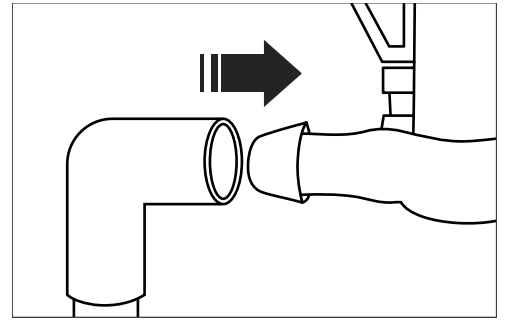
Insert into mounting hole

- Insert new nozzle into mounting hole
- Use gasket to compensate hood thickness



Secure with clips

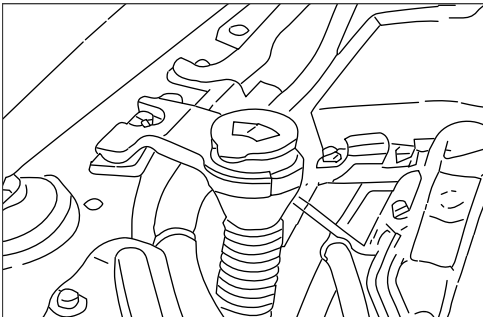
- Careful secure with clips
- Use gentle pressure when handling clips



Connect washer fluid line

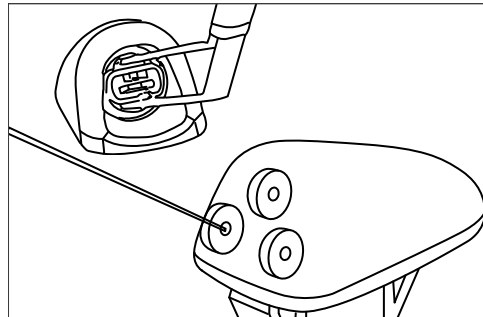
- Ensure firm connection without kinks
- Inspect check valve connection

4. Spray Pattern Adjustment



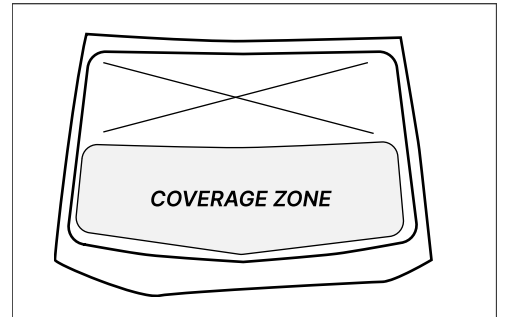
Fill washer fluid reservoir

- Fill with appropriate washer fluid
- Do not overfill



Adjust nozzle direction

- Adjust direction using adjustment pin or a fine needle for precise control



Optimal spray pattern

- Spray pattern should cover 60%

IMPORTANT: To prevent dripping from nozzle ensure that check valve is working properly

Troubleshooting Guide

5

Problem	Possible Cause	Solution
Dripping nozzle	Faulty check valve	Replace check valve
No spray	Blocked nozzle	Clean nozzle opening
	Empty reservoir	Refill washer fluid
Weak spray	Low pressure	Check pump operation
	Kinked line	Straighten fluid line
Uneven spray	Misaligned nozzle	Readjust direction
	Partial blockage	Clean nozzle opening

Warranty Information

6

This product is warranted to be free from defects in materials and workmanship under normal use for a period of 12 months from the date of installation. Warranty is void if:

- Product is modified or tampered with
- Installation instructions are not followed
- Damage is caused by improper maintenance

Contact Information

7

Technical Support Email: support@clicknfits.com, Website: clicknfits.com, ClicknFit Ltd, Cyprus